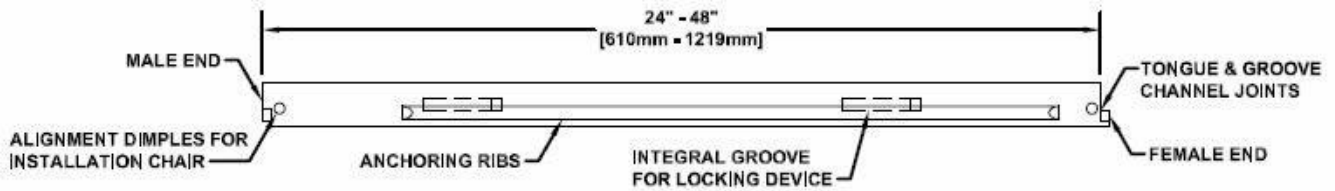
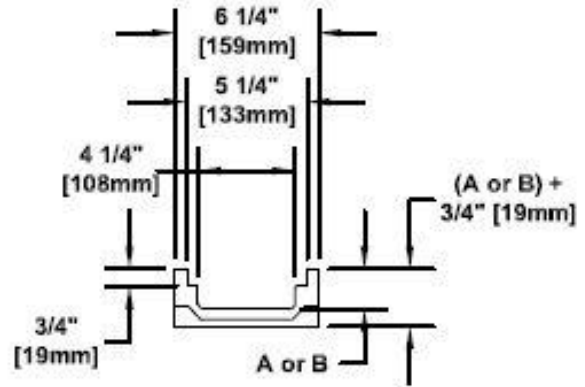
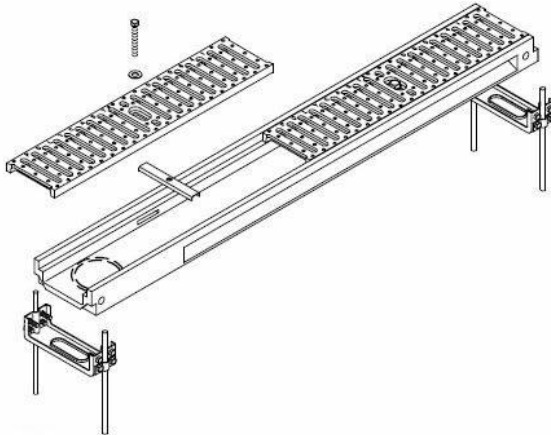


Number <p style="text-align: center;">DP0500</p>	Series <p style="text-align: center;">TPC500 Channel Polycast 500</p>
---	--



<input checked="" type="checkbox"/> Channel Number	Weight (LBS.)	Inlet Dim 'A'	Outlet Dim 'B'
<input type="checkbox"/> 500 w/ 4" Bottom Drill Out (Non-Sloped)	25	1-3/4	1-3/4
<input type="checkbox"/> 500H w/ 4" Bottom Drill Out (Non-Sloped 24")	12	1-3/4	1-3/4

Manufacturer



Specification

POLYCAST 500 SERIES SHALLOW NON -SLOPED TRENCH DRAIN SYSTEM S A NON-SLOPING TRENCH DRAIN WITH 6 1/4-WIDE X A NOMINAL 48+LONG POLYESTER POLYMER CONCRETE CHANNELS WITH TONGUE AND GROOVE CONNECTIONS. CHANNEL WILL BE SUPPLIED WITH DRILL OUTS FOR 4+BOTTOM OUTLET. INSTALLATION CHAIRS RECOMENDED FOR INSTALLATION.

DISCLAIMER - The customer and the customer's architects, engineers, consultants, and other professionals are completely responsible for the selection installation and maintenance of any product purchased from Trench Drain Supply and/or its manufacturers. TRENCH DRAIN SUPPLY MAKES NO WARRANTY, EXPRESS OR IMPLIED, AS TO THE SUITABILITY, DESIGN, MERCHANTABILITY, OR FITNESS OF THE PRODUCT FOR CUSTOMERS APPLICATION. The drawing and information provided remain the property and copyright of the manufacturer listed. The manufacturer reserves the right to modify specification without notice.